

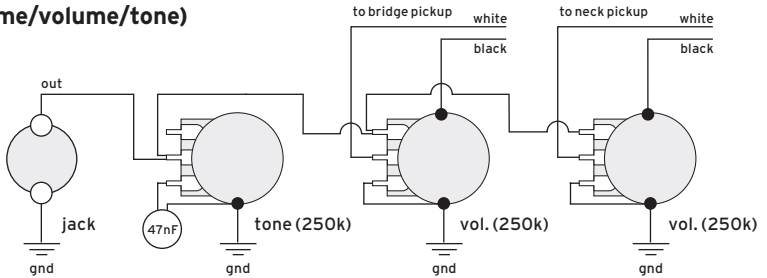
2-conductor cable wiring

for DELANO 2-conductor wired
vintage pickups
in passive operation

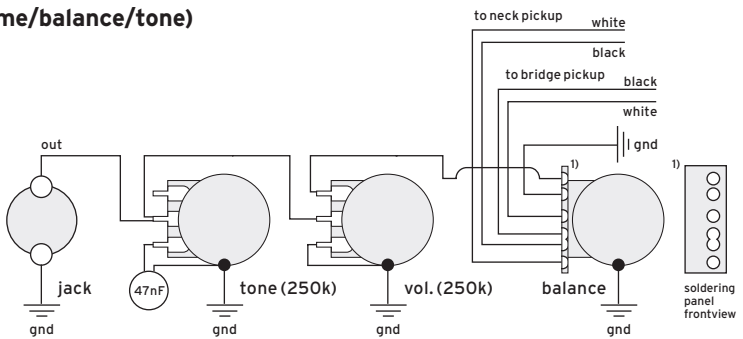
The colors of DELANO wires are:

white = hot black = gnd

2 pickups (volume/volume/tone)



2 pickups (volume/balance/tone)



1 pickup (volume/tone)

